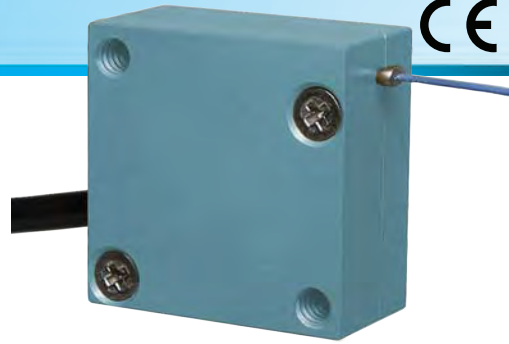


ZX-PA SERIES - Analog Position Transducer

RATIOMETRIC VOLTAGE OUTPUT



With dimensions of .73 x .73 x .375, the UniMeasure model ZX-PA-1.5 is the world's smallest stringpot. With a total measurement range of 1.5" (38 mm), a wide operating temperature range and long cycle life, the ZX-PA-1.5 is perfect for applications where space is at an absolute premium and maximum performance is required.



Features include:

- Miniature Size
- 1.5" (38 mm) Measurement Range
- Anodized aluminum housing
- Co-Molded Maximum Life Potentiometer
- Nylon Jacketed Wire Rope
- Through Hole Mounting and Integral Mounting Threads.

SPECIFICATIONS

General

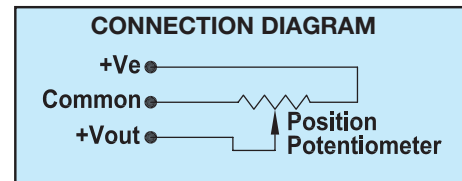
Measurement Range.....	1.5 inch (38 mm)
Sensing Device	Precision Potentiometer
Resolution.....	Essentially Infinite
Linearity.....	±1.0% Full Scale
Repeatability	±0.03% Full Scale
Construction	Anodized Aluminum Housing
Wire Rope.....	Ø0.018" (0.46 mm) Nylon Jacketed Stainless Steel
Wire Rope Tension	4 oz (1.1 N)
Weight	0.42 oz (12 gm)
Electrical Connection	3 conductor cable, 18" (457mm) length
Life.....	10,000,000 full stroke cycles

Environmental

Operating Temperature.....	-55° C to 100° C
Storage Temperature	-65° C to 100° C
Vibration.....	15 G's 0.1 ms max.
Shock.....	50 G's 0.1 ms max.
Ingress Protection.....	NEMA 1, IP-40

Electrical

Nominal Output	630 mV/in (24.8 mV/mm) @ $V_e=1$ V
Input Impedance.....	5000 Ω ±10%
Output Impedance.....	0 to 5000 Ω
Excitation Voltage (V_e)	25 VDC Max.

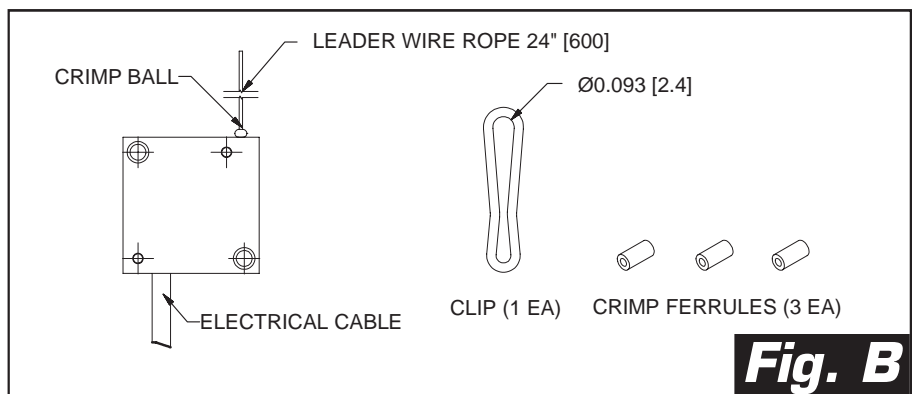
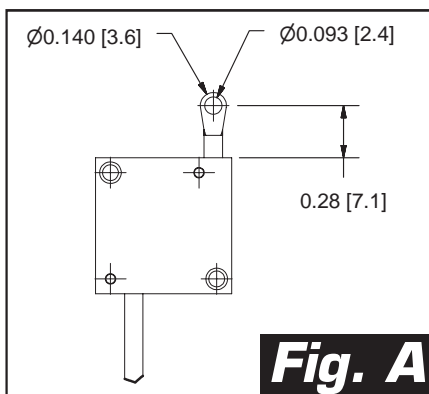


Model Number Configuration

ZX-PA-1.5 -

Wire Rope Configuration

- A..... Eye Fitting (See Figure A)
- B..... 24" (600 mm) Leader Wire Rope with Fittings (See Figure B)



Dimensions in brackets are millimeters

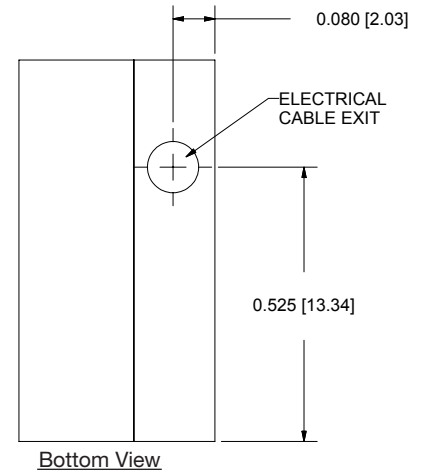
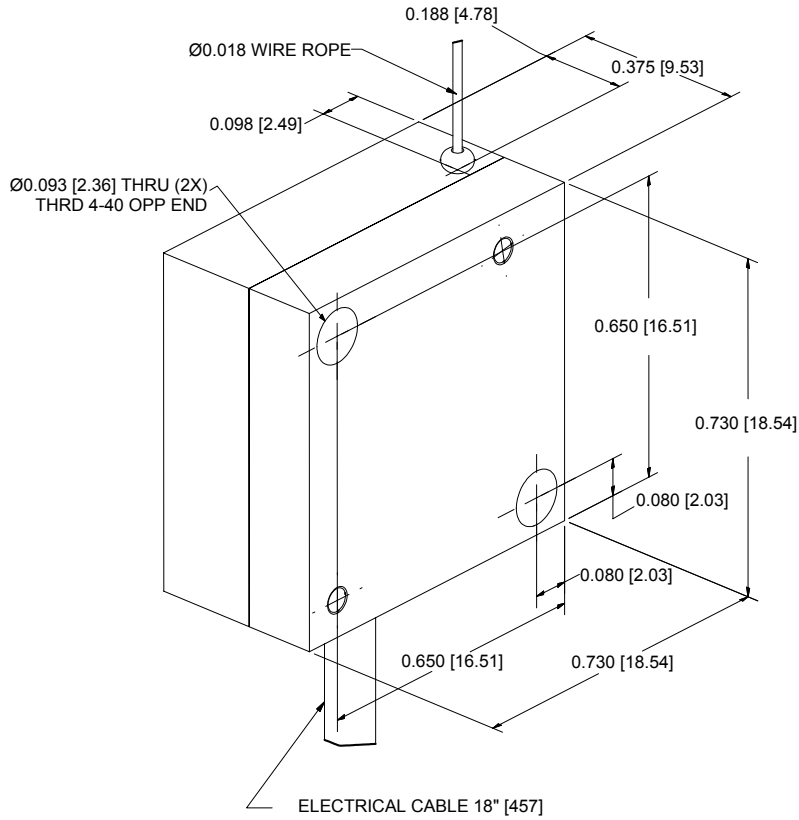
Example
ZX-PA-1.5-A

ZX-PA SERIES - Analog Position Transducer

SUPPLEMENTAL DATA



DIMENSIONAL INFORMATION



Dimensions in brackets are millimeters