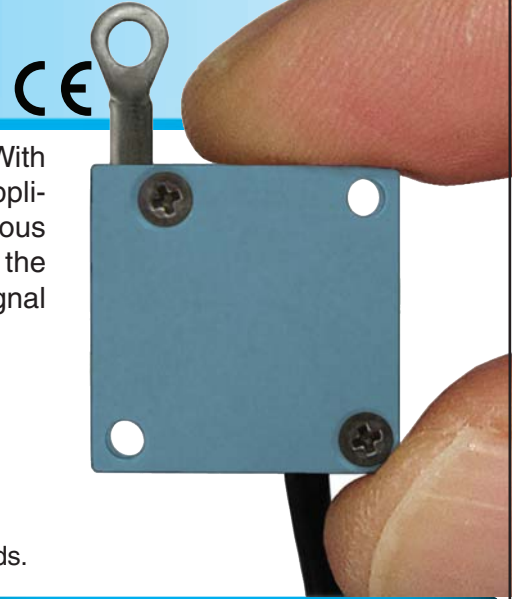


ZX-HM SERIES - Analog Position Transducer

HALL EFFECT VOLTAGE OUTPUT



Model ZX-HM employs a non-contact hall effect internal sensing element. With an overall measurement range of 1.5" (38mm), model ZX-HM is ideal for applications where space is at a premium or where dithering motion or continuous oscillation may be encountered. With a wide operating temperature range, the hall effect sensing element allows for a long service life without output signal degradation.

Features include:

- Hall Effect Sensing Element
- Miniature Size
- Anodized Aluminum housing
- 1.5" (38 mm) Measurement Range
- Nylon Jacketed Stainless Steel Wire Rope
- Through Hole Mounting and Integral Mounting Threads.

SPECIFICATIONS

General

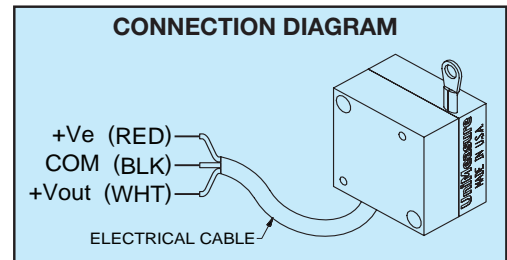
Measurement Range.....	1.5 inch (38 mm)
Sensing Device	Non Contact Hall Effect Device
Resolution.....	0.0016 in (0.04 mm)
Linearity	±1.0% Full Scale
Repeatability	±0.0032 in (0.08 mm)
Construction	Anodized Aluminum Housing
Wire Rope.....	Ø0.018" (0.46 mm) Nylon Jacketed Stainless Steel
Wire Rope Tension	4 oz (1.1 N)
Weight	0.52 oz (15 gm)
Electrical Connection	3 conductor cable, 18" (457mm) length
Life.....	30,000,000 full stroke cycles

Electrical

Excitation Voltage (Ve)	5.00 ± 0.25 VDC
Excitation Current.....	21 mA Max.
Output Voltage	89% ± 3% of Excitation Voltage
Minimum Load Impedance	30K ohms

Environmental

Operating Temperature	-40° C to 125° C
Storage Temperature.....	-55° C to 125° C
Vibration	15 G's 0.1 ms max.
Shock	50 G's 0.1 ms max.
Ingress Protection	NEMA 1, IP-40



Model Number Configuration

ZX-HM-1.5-

Wire Rope Configuration

- A.....Eye Fitting (See Figure A)
- B..... 24" (600 mm) Leader Wire Rope with Fittings (See Figure B)

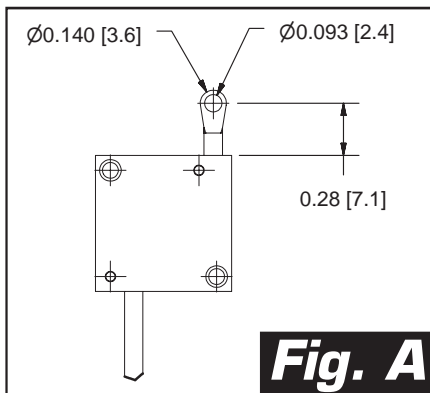


Fig. A

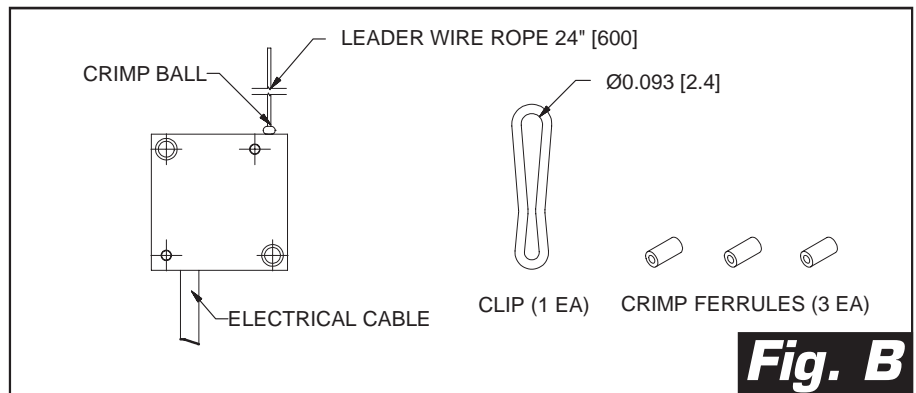


Fig. B

Dimensions in brackets are millimeters

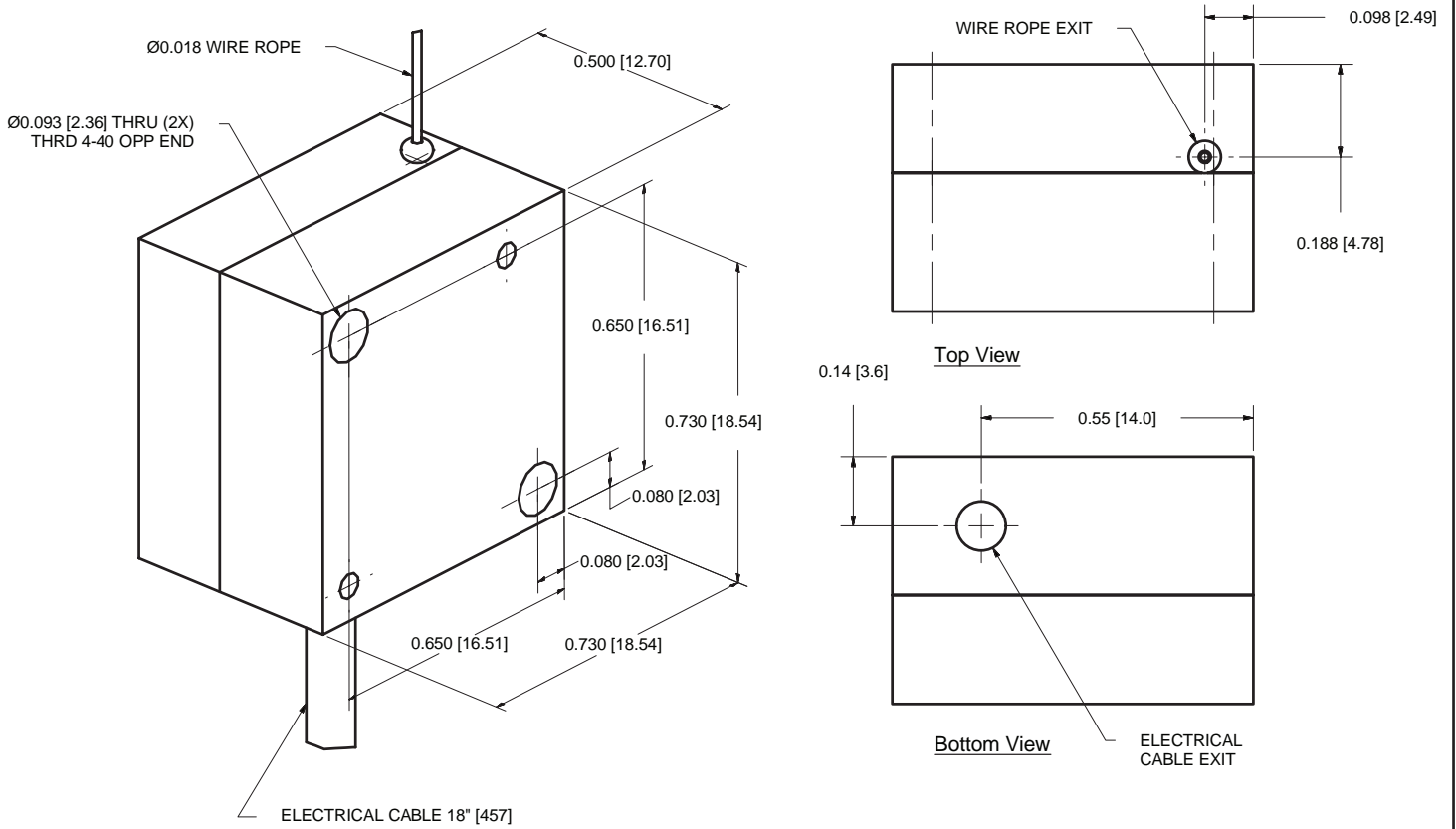
Example
ZX-HM-1.5-A

ZX-HM SERIES - Analog Position Transducer

SUPPLEMENTAL DATA



DIMENSIONAL INFORMATION



Dimensions in brackets are millimeters